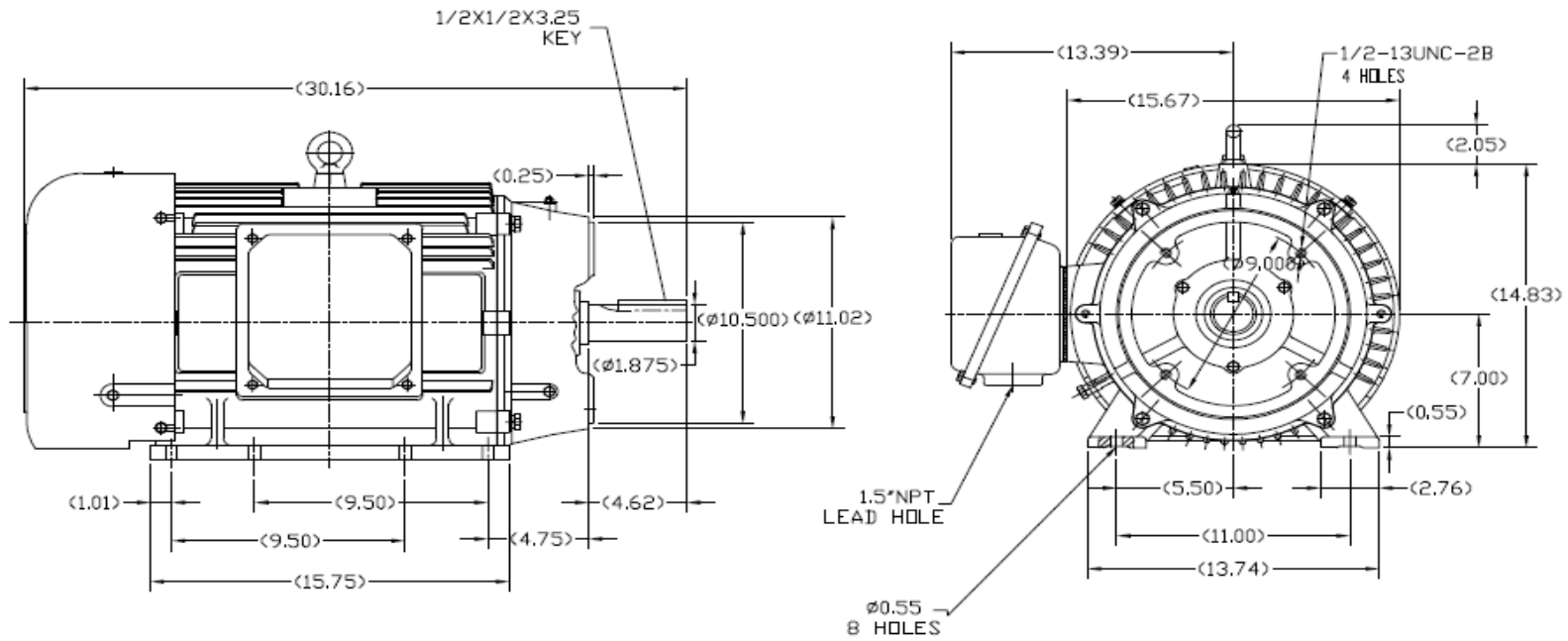


SS620299



DRAWING MAY NOT BE TO SCALE

284TC	30.16	15.75	9.50
286TC	31.34	16.93	11.00
FRAME	C	B	2F

TOLERANCES UNLESS SPECIFIED		REGAL-BELOIT CORPORATION		DRAWN BY 4-21-2010
DEC.	DIMENSIONS	REGAL	REGAL-BELOIT CORPORATION	CHK. REV. 4-21-2010
XX	±.03	TITLE		APP'G. CL 4-21-2010
XXX	±.005	284/286TC FR-TEFC-CAST IRON		SCALE 2:1
XXXX	±.0005	MATERIAL		ISO
		FINISH		FIN. HVADA
		CAD FILE		PREV
		SS620299	SIZE B	REV.
			SS620299	