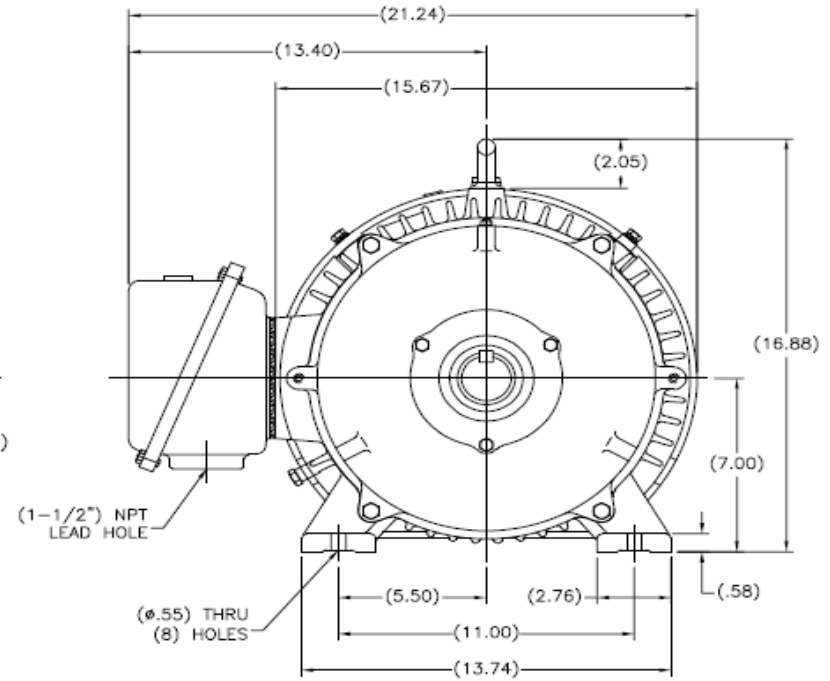
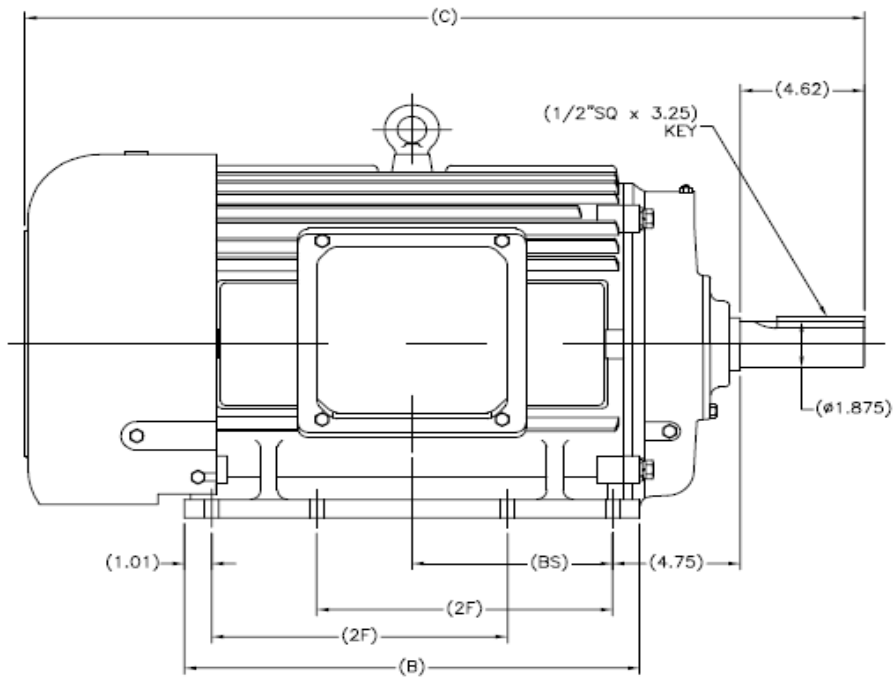


SS620245



(MAY NOT BE DRAWN TO SCALE)

(DIMENSIONS IN TABLE ARE CONSIDERED REFERENCE)

2B4T	30.16	15.75	9.50	6.86
2B6T	31.34	16.93	11.00	7.45
FRAME	C	B	2F	BS

		TOLERANCES UNLESS SPECIFIED		REGAL-BELOIT CORPORATION		DRAWN MSG 01-13-2010	
		DEC.	INCHES			CHK NLS 01-13-2010	
		.X	0.1			APPRO SB 01-13-2010	
		.XX	0.03	TITLE OUTLINE		SCALE 1=4	
		.XXX	0.005	2B0T FR. - TEFC		REF	
		.XXXX	0.0005	MAT'L.		FIN	
		CHK ANG	0.7307	FINISH		PREV	
1	ADDED 'BS' DIM. UPDATED TITLE BLOCK ECD-0048910	RFH	04/07/2014	EH	XXXX	0.0005	
NO.	REVISION	BY	DATE	CHK	ANG	0.7307	
THIS DRAWING IN DESIGN AND DETAIL IS OUR PROPERTY AND MUST NOT BE USED EXCEPT IN CONNECTION WITH OUR WORK. ALL RIGHTS OF DESIGN AND INVENTION ARE RESERVED. THIS IS AN ELECTRONICALLY GENERATED DOCUMENT - DO NOT SCALE THIS PRINT				RFP	01-14-2010	CAD FILE SS620245	SIZE B
				DST			DRAWING NO. SS620245
							PAGE 1 OF 1
							REV. 1

