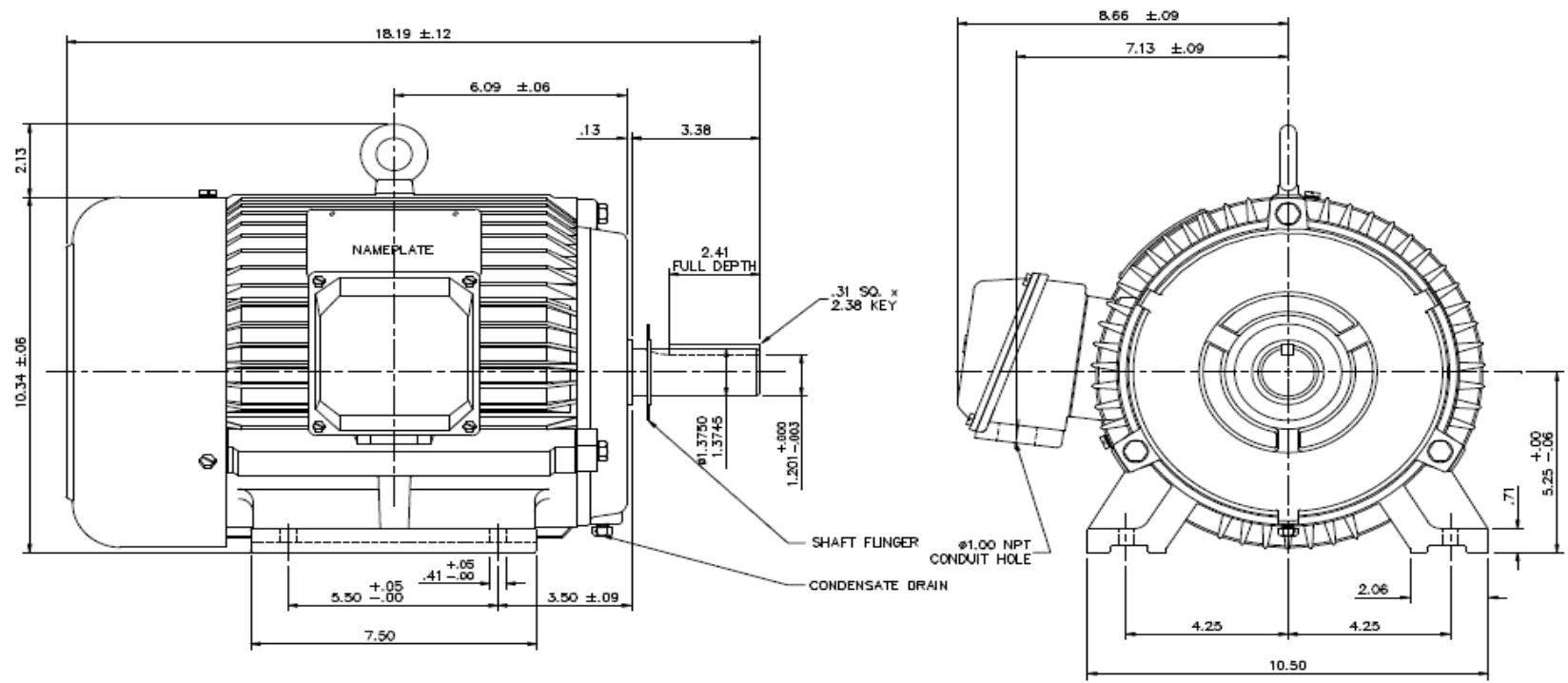


169535-60



				TOLERANCES UNLESS OTHERWISE SPECIFIED		LEESON ELECTRIC CORPORATION	
DEC.	INCHES	METRIC		DRAWN JJK 03/25/99	TITLE		
.X	±.1	±2.5		APPR. PC 03/31/99	OUTLINE - 213T FRAME		
.XX	±.03	±.76		R.F.P.	TEFC - RIGID MOUNT, NEW CON-BOX		
.XXX	±.005	±.127		SCALE	CAST IRON		
.XXXX	±.0005	±.0127					
NO.	REVISION	BY & DATE	CHK'D.				
01	REDRAWN TO CURRENT CAD STANDARDS	CJK 9/17/01					
THIS DRAWING IN DESIGN AND DETAIL IS OUR PROPERTY AND MUST NOT BE USED EXCEPT IN CONNECTION WITH OUR WORK. ALL RIGHTS OF DESIGN AND INVENTION ARE RESERVED. THIS IS AN ELECTRONICALLY GENERATED DOCUMENT - DO NOT SCALE THIS PRINT				FRACTIONS	±1/64	REF.	169501
				ANGLES	±1/2°	FINISH	HEBE
						REV.	01
						DRAWING NO.	169535-60